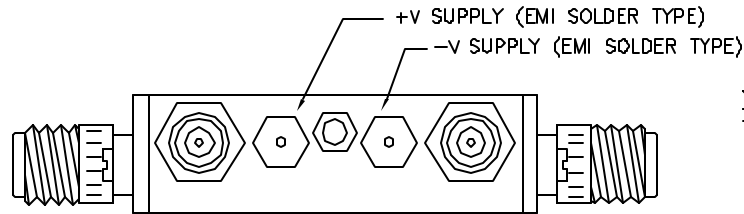


DESCRIPTION

AMC MODEL SWSH-810-2DR-IND-SMC IS A 8.2 TO 10.0 GHz REFLECTIVE SINGLE POLE TWO THROW SWITCH WITH LOW INSERTION LOSS IN A COMPACT PACKAGE.

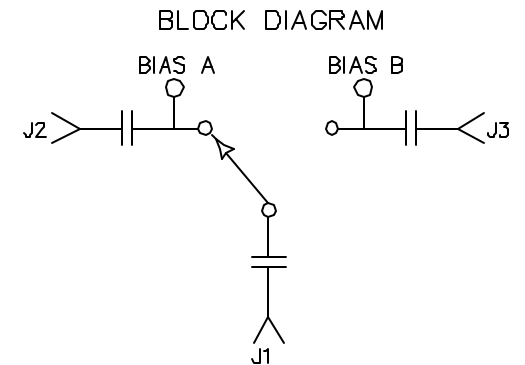
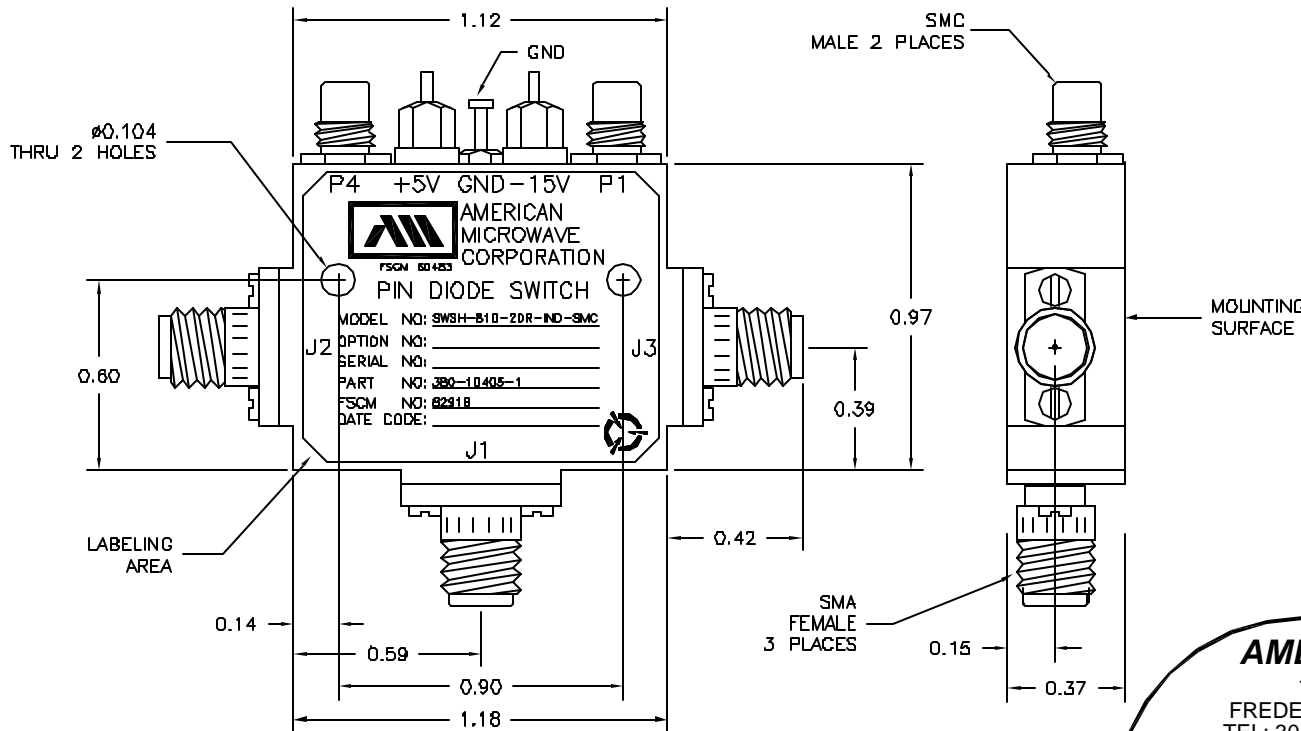
REVISIONS				
ZONE	REV.	DESCRIPTION	DATE	APPROVED
-	-	ORIGINAL RELEASE JOB# 108140E	03/08/02	
A		SEE ECN# 05-014	5/10/05	



MECHANICAL OUTLINE

LOGIC TABLE

TTL STATE		INSERTION LOSS (Z)	
P ₄	P ₁	J ₁ -J ₂	J ₁ -J ₃
0	0	LOW	LOW
0	1	LOW	ISOLATED
1	0	ISOLATED	LOW
1	1	ISOLATED	ISOLATED



AMERICAN MICROWAVE CORPORATION

7311-G GROVE ROAD
 FREDERICK, MARYLAND 21704 USA
 TEL: 301-662-4700 FAX: 301-662-4938
 WEBSITE: www.americanmicrowavecorp.com
 E-MAIL: sales@americanmicrowavecorp.com
 ISO 9001:2000 CERTIFIED



ALL DIMENSIONS ARE IN INCHES
 TOLERANCES:
 X.XX ±0.020
 X.XXX ±0.010

APPROVALS		DATE	TITLE		
DRAWN	<i>JDS</i>	3/8/02	MECHANICAL OUTLINE SWSH-810-2DR-IND-SMC 380-10405-1		
MODIFIED	<i>JDS</i>	5/10/05	8.0 - 10.0 GHz, SINGLE POLE TWO THROW SWITCH		
ISSUED			SIZE	FSCM NO.	DWG NO.
			A	60483	100-6276
			SCALE	SHEET	
			N:S	2 OF 3	

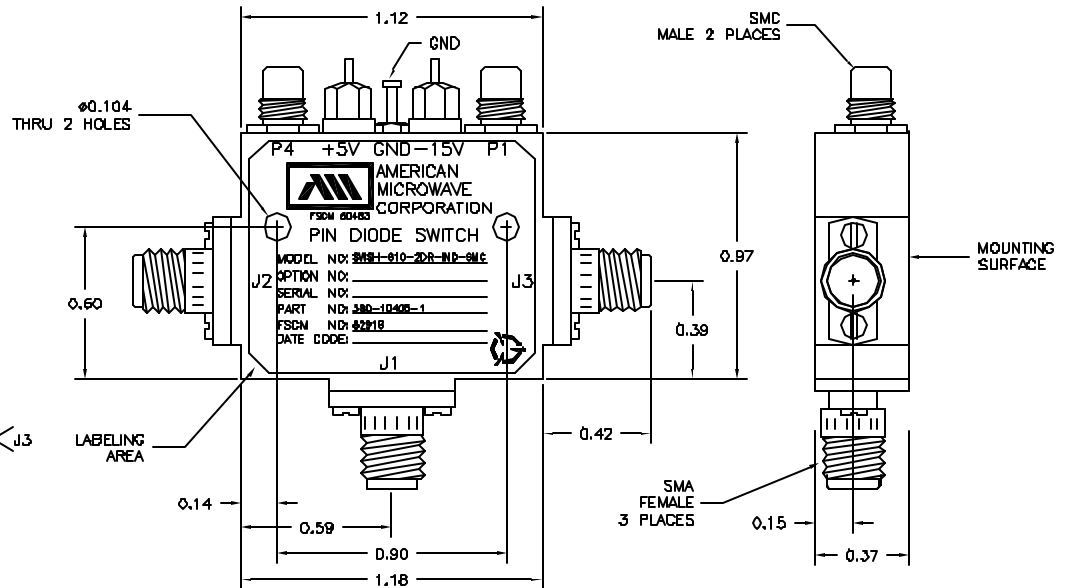
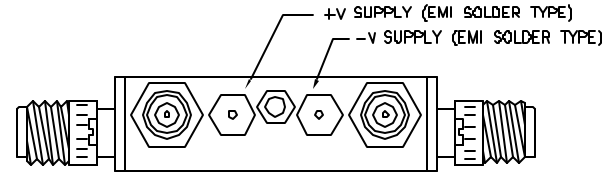
DESCRIPTION

AMC MODEL SWSH-810-2DR-IND-SMC IS A 8.2 TO 10.0 GHz REFLECTIVE SINGLE POLE TWO THROW SWITCH WITH LOW INSERTION LOSS IN A COMPACT PACKAGE.

REVISIONS				
ZONE	REV.	DESCRIPTION	DATE	APPROVED
	-	ORIGINAL RELEASE JOB# 108140E	03/06/02	
	A	SEE ECN# 05-014	5/10/05	

SPECIFICATIONS

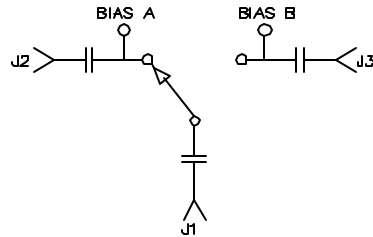
- FREQUENCY RANGE: 8.2 TO 10.0 GHz
- RF POWER AT (+30°C): 1 WATT PEAK
- IMPEDANCE: 50 OHMS
- VSWR: 2.0:1 MAXIMUM
- ISOLATION: 55 dB MINIMUM
- INSERTION LOSS: 1.5 dB MAXIMUM
- SWITCHING SPEED: 2 μ Sed MAXIMUM PLUS TRIGGER DELAY
- POWER: 1.7 WATT MAXIMUM
- TTL LOGIC LOW: -0.3 VOLTS TO +0.7 VOLTS
- TTL LOGIC HIGH: +2.5 VOLTS TO +5.0 VOLTS
- BIAS AND SUPPLY VOLTAGE: .. +5.0V \pm 0.5 VDC
 -15.0V \pm 0.5 VDC



LOGIC TABLE

TTL STATE		INSERTION LOSS (Z)	
P ₄	P ₁	J ₁ -J ₂	J ₁ -J ₃
0	0	LOW	LOW
0	1	LOW	ISOLATED
1	0	ISOLATED	LOW
1	1	ISOLATED	ISOLATED

BLOCK DIAGRAM



ENVIRONMENTAL RATINGS:

- TEMPERATURE: -55°C TO +110°C (OPERATING)
- HUMIDITY: MIL-STD-202, METHOD 106
- THERMAL SHOCK: MIL-STD-202F, METHOD 107 D COND. A
- SHOCK: MIL-STD-202F, METHOD 213B COND. B
- VIBRATION: MIL-STD-202F, METHOD 204D COND. B
- ALTITUDE: MIL-S-3928
- TEMPERATURE CYCLE: MIL-STD-202F, METHOD 107D COND. A

NOTE: SPECIFICATIONS WILL VARY OVER OPERATING TEMPERATURE
 NOTE: THE ABOVE SPECIFICATIONS ARE SUBJECT TO CHANGE OR REVISION

ALL DIMENSIONS ARE IN INCHES
 TOLERANCES:
 X.XX \pm 0.020
 X.XXX \pm 0.010

AMERICAN MICROWAVE CORPORATION

7311-G GROVE ROAD
 FREDERICK, MARYLAND 21704 USA
 TEL: 301-662-4700 FAX: 301-662-4938
 WEBSITE: www.americanmicrowavecorp.com
 E-MAIL: sales@americanmicrowavecorp.com
 ISO 9001:2000 CERTIFIED



APPROVALS		DATE	TITLE			
DRAWN <i>JDJ</i>		3/6/02	PRODUCT FEATURE			
MODIFIED <i>JDJ</i>		5/10/05	SWSH-810-2DR-IND-SMC			
ISSUED			380-10405-1			
			8.0 - 10.0 GHz, SINGLE POLE TWO THROW SWITCH			
SCALE	N:S		SIZE	FSCM NO.	DWG NO.	REV.
			A	60483	100-6276	A
			SHEET		1 OF 3	